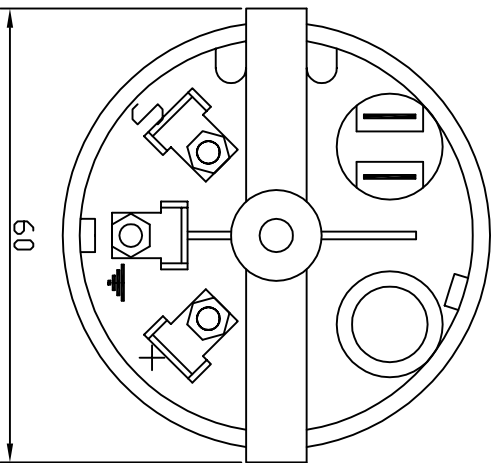
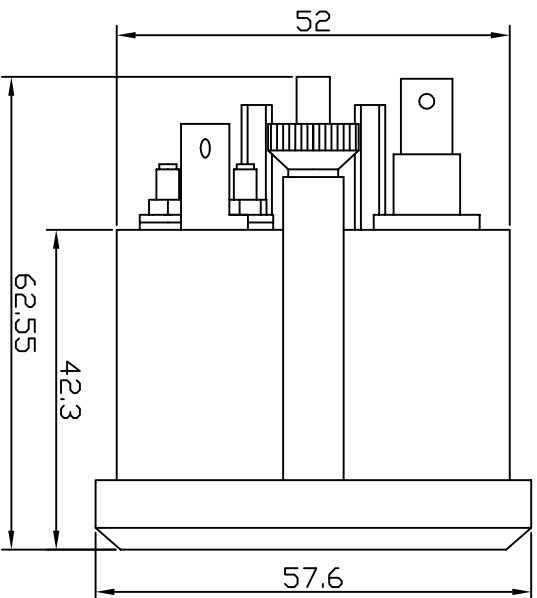


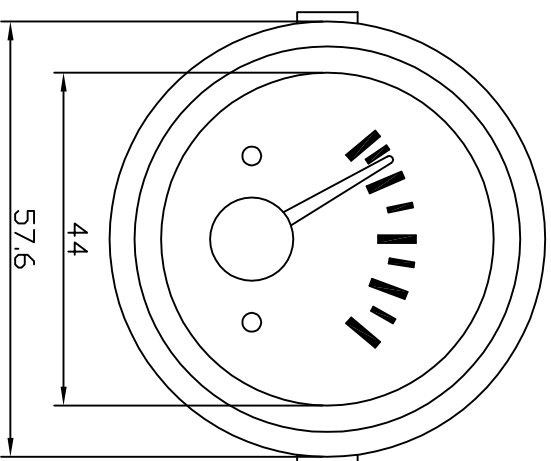
Vista posteriore  
Rear view




Vista laterale  
Lateral view



Vista frontale  
Frontal view



Dimensioni in mm / All dimensions are in mm

Rev:	Date:	Descrizione modifiche - Description of changes:	
0	29/01/16	Prima emissione	
<p><b>SAN GIORGIO S.E.I.N. GENOVA - ITALY</b> </p> <p>Tel. 010-8301222 - <a href="http://www.sangiorgioseln.com">www.sangiorgioseln.com</a></p>			
Dimensionale Indicatore serie Cromata 52mm			
Dimensional Indicator series Chrome 52mm			
Number:	Sheet:	Date:	Size:
D160210	1/1	29/01/16	A4
Complet:	Checked:	Approved:	
Garzi P.	Mannelli M.	Mannelli M.	